



BRAKE SYSTEMS

**BRAKE PADS
FOR THE JAGUAR F-PACE**

NEW
TO MARKET

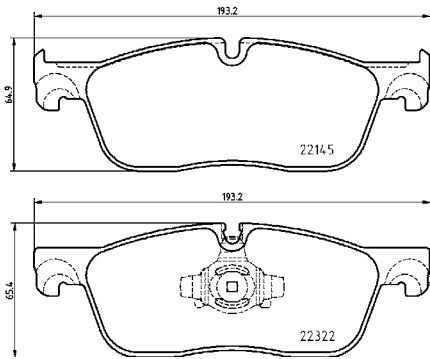


Hella Pagid Brake Systems is one of the leading providers of brake systems in the independent aftermarket, supplying an extensive range of products. We are now also offering our outstanding technology, which meets the toughest demands, for the Jaguar F-PACE. This flyer presents a brief overview of the relevant article numbers and models.

Long article number	Short article number	Product	Vehicle NEW / New-to-market	Year of Production
8DB 355 024-741	T2512	Brake Pads FA	F-PACE (X761), XE (X760), XEL, XF (X260), XF SPORTBRAKE (X260)	03/15 –

RELIANCE. TRUST. PERFORMANCE.

BRAKE PADS FA



An exceptionally wide range of products in four areas – brake hydraulics, wearing parts, fluids & chemicals and accessories – sets HELLA PAGID apart.

All our products are notable for their high level of safety, comfort and durability. Almost 100 % of existing European vehicles are covered by HELLA PAGID brake pads and brake discs – a clear indication of our aspiration to achieve perfection and of the quality of our products.

And because safety is paramount in braking systems, we work hard to continually update our range of products, anticipating technological developments well in advance.

OE-Numbers:

LR090689; T4N13434; T4N9760

BRAND	MODEL	YEARS OF PRODUCTION
JAGUAR	F-PACE (X761) XE (X760) XEL XF (X260) XF SPORTBRAKE (X260)	03/15 –
	2.0	03/15 –
	2.0 AWD	02/17 –
	2.0 D	09/15 –
	2.0 D AWD	09/15 –
	3.0 AWD	09/15 –
	3.0 D AWD	09/15 –



BRAKE SYSTEMS

**BRAKE CALIPERS
FOR THE MERCEDES GLE**

NEW
TO MARKET



Hella Pagid Brake Systems is one of the leading providers of brake systems in the independent aftermarket, supplying an extensive range of products. We are now also offering our outstanding technology, which meets the toughest demands, for the Mercedes GLE. This flyer presents a brief overview of the relevant article numbers and models.

Long article number	Short article number	Product	Vehicle NEW / New-to-market	Year of Production
8AC 355 397-761 / 8AC 355 397-771	AC9776 / AC9777	Brake Calipers FA Position: left/right	GLE (W166), GLE Coupé (C292), M-CLASS (W166)	06/11 –

RELIANCE. TRUST. PERFORMANCE.

BRAKE CALIPERS FA



An exceptionally wide range of products in four areas – brake hydraulics, wearing parts, fluids & chemicals and accessories – sets HELLA PAGID apart.

All our products are notable for their high level of safety, comfort and durability. Almost 100% of existing European vehicles are covered by HELLA PAGID brake pads and brake discs – a clear indication of our aspiration to achieve perfection and of the quality of our products.

And because safety is paramount in braking systems, we work hard to continually update our range of products, anticipating technological developments well in advance.

OE-Numbers:

1664210581 / 1664210681

BRAND	MODEL	YEARS OF PRODUCTION
MERCEDES-BENZ	GLE (W166) GLE Coupé (C292)	03/15 –
	250 d	03/15 -
	250 d 4-matic	04/15 -
	350 d 4-matic	03/15 -
	M-Class (W166)	06/11 – 12/15
	ML 250 CDI / BlueTEC 4-matic	06/11 – 12/15
	ML 300 4-matic	08/12 – 02/15
ML 350 4-matic	06/11 – 12/15	
ML 350 BlueTEC 4-matic	06/11 – 02/15	



BRAKE SYSTEMS

**BRAKE PADS
FOR THE AUDI A4**

NEW
TO MARKET

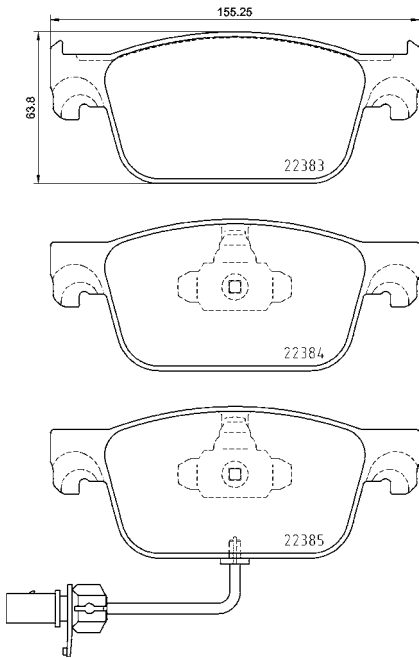


Hella Pagid Brake Systems is one of the leading providers of brake systems in the independent aftermarket, supplying an extensive range of products. We are now also offering our outstanding technology, which meets the toughest demands, for the Audi A4. This flyer presents a brief overview of the relevant article numbers and models.

Long article number	Short article number	Product	Vehicle NEW / New-to-market	Years of Production
8DB 355 024-951	T2549	Brake Pad FA	AUDI A4 (8W2, B9), A4 Allroad (8WH, B9), A4 Avant (8W5, B9)	05/15 –

RELIANCE. TRUST. PERFORMANCE.

BRAKE PAD FA



An exceptionally wide range of products in four areas – brake hydraulics, wearing parts, fluids & chemicals and accessories – sets HELLA PAGID apart.

All our products are notable for their high level of safety, comfort and durability. Almost 100 % of existing European vehicles are covered by HELLA PAGID brake pads and brake discs – a clear indication of our aspiration to achieve perfection and of the quality of our products.

And because safety is paramount in braking systems, we work hard to continually update our range of products, anticipating technological developments well in advance.

OE-Numbers:

8W0698151AG, 8W0698151K, 8W0698151Q

BRAND	MODEL	YEARS OF PRODUCTION
AUDI	A4 (8W2, B9), A4 Allroad (8WH, B9), A4 Avant (8W5, B9)	05/15 –
	1.4 TFSI	08/15 –
	2.0 TFSI	05/15 –
	2.0 TFSI quattro	05/15 –
	S4 quattro	05/16 –
	2.0 TDI	05/15 –
	2.0 TDI quattro	09/15 –
	3.0 TDI	09/15 –
	3.0 TDI quattro	05/15
	2.0 TFSI g-tron	11/16 –



BRAKE SYSTEMS

**BRAKE PADS
FOR THE FIAT 500X**

NEW
TO MARKET

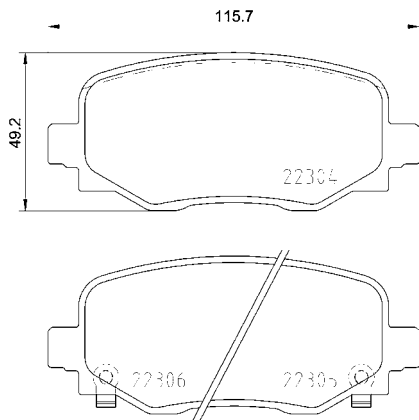


Hella Pagid Brake Systems is one of the leading providers of brake systems in the independent aftermarket, supplying an extensive range of products. We are now also offering our outstanding technology, which meets the toughest demands, for the Fiat 500X. This flyer presents a brief overview of the relevant article numbers and models.

Long article number	Short article number	Product	Vehicle NEW / New-to-market	Years of Production
8DB 355 025-481	T2446	Brake Pad RA	FIAT 500X (334_)	09/14 –

RELIANCE. TRUST. PERFORMANCE.

BRAKE PAD RA



An exceptionally wide range of products in four areas – brake hydraulics, wearing parts, fluids & chemicals and accessories – sets HELLA PAGID apart.

All our products are notable for their high level of safety, comfort and durability. Almost 100 % of existing European vehicles are covered by HELLA PAGID brake pads and brake discs – a clear indication of our aspiration to achieve perfection and of the quality of our products.

And because safety is paramount in braking systems, we work hard to continually update our range of products, anticipating technological developments well in advance.

OE-Numbers:

77367145, 77367417

BRAND	MODEL	YEARS OF PRODUCTION
FIAT	500X (334_)	09/14 -
	1.4 LPG	03/17 -
	1.4	09/14 -
	1.4 (334AXC1B, 334AXC11)	09/14 -
	1.4 4x4	02/15 -
	1.6	11/14 -
	1.6 D Multijet	09/14 -
	2.0 D Multijet 4x4	09/14 -



BRAKE SYSTEMS

**BRAKE PADS
FOR THE FORD F-150**

NEW
TO MARKET

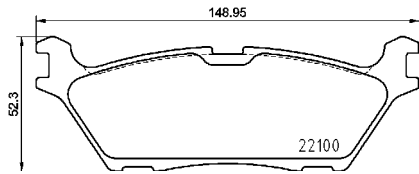


Hella Pagid Brake Systems is one of the leading providers of brake systems in the independent aftermarket, supplying an extensive range of products. We are now also offering our outstanding technology, which meets the toughest demands, for the Ford F-150. This flyer presents a brief overview of the relevant article numbers and models.

Long article number	Short article number	Product	Vehicle NEW / New-to-market	Years of Production
8DB 355 025-731	T2597	Brake Pad RA	F-150 Crew Cab Pickup, F-150 Extended Cab Pickup, F-150 Standard Cab Pickup	09/14 –

RELIANCE. TRUST. PERFORMANCE.

BRAKE PAD RA



An exceptionally wide range of products in four areas – brake hydraulics, wearing parts, fluids & chemicals and accessories – sets HELLA PAGID apart.

All our products are notable for their high level of safety, comfort and durability. Almost 100 % of existing European vehicles are covered by HELLA PAGID brake pads and brake discs – a clear indication of our aspiration to achieve perfection and of the quality of our products.

And because safety is paramount in braking systems, we work hard to continually update our range of products, anticipating technological developments well in advance.

OE-Numbers:

FL3Z2200A

BRAND	MODEL	YEARS OF PRODUCTION
FORD	F-150 Crew Cab Pickup, F-150 Extended Cab Pickup, F-150 Standard Cab Pickup	09/14 –
	2.7	09/14 –
	2.7 4WD	09/14 –
	3.5	09/14 –
	3.5 4WD	09/14 –
	3.5 Flexfuel	09/14 –
	3.5 Flexfuel 4WD	09/14 –
	5.0	09/14 –
	5.0 4WD	09/14 –
	5.0 Flexfuel	09/14 –
	5.0 Flexfuel 4WD	09/14 –



BRAKE SYSTEMS

**BRAKE PADS
FOR THE JAGUAR F-TYPE**

NEW
TO MARKET

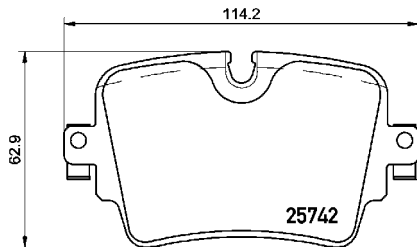


Hella Pagid Brake Systems is one of the leading providers of brake systems in the independent aftermarket, supplying an extensive range of products. We are now also offering our outstanding technology, which meets the toughest demands, for the Jaguar F-TYPE. This flyer presents a brief overview of the relevant article numbers and models.

Long article number	Short article number	Product	Vehicle NEW / New-to-market	Years of Production
8DB 355 021-391	T2286	Brake Pad RA	JAGUAR F-TYPE, F-TYPE S, F-TYPE 400, F-TYPE R, F-TYPE SVR (X152)	10/12 –

RELIANCE. TRUST. PERFORMANCE.

BRAKE PAD RA



An exceptionally wide range of products in four areas – brake hydraulics, wearing parts, fluids & chemicals and accessories – sets HELLA PAGID apart.

All our products are notable for their high level of safety, comfort and durability. Almost 100 % of existing European vehicles are covered by HELLA PAGID brake pads and brake discs – a clear indication of our aspiration to achieve perfection and of the quality of our products.

And because safety is paramount in braking systems, we work hard to continually update our range of products, anticipating technological developments well in advance.

OE-Numbers:

C2D49907, T2R7946

BRAND	MODEL	YEARS OF PRODUCTION
JAGUAR	F-TYPE COUPE & CONVERTIBLE (X152)	10/12 –
	2.0 i4	07/17 –
	3.0	10/13 –
	3.0 S	10/13 –
	3.0 S AWD	12/14 –
	400	11/16 –
	400 AWD	11/16 –
	5.0 S	10/12 –
	5.0 R	10/13 –
	5.0 R AWD	12/14 –
	5.0 SVR	12/15 –



BRAKE SYSTEMS

**BRAKE PADS
FOR THE MERCEDES GLC**

NEW
TO MARKET

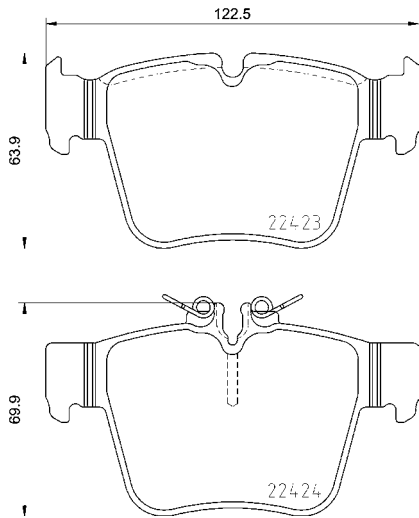


Hella Pagid Brake Systems is one of the leading providers of brake systems in the independent aftermarket, supplying an extensive range of products. We are now also offering our outstanding technology, which meets the toughest demands, for the Mercedes GLC. This flyer presents a brief overview of the relevant article numbers and models.

Long article number	Short article number	Product	Vehicle NEW / New-to-market	Years of Production
8DB 355 024-991	T2567	Brake Pad RA	GLC (X253), GLC Coupé (C253)	06/15 –

RELIANCE. TRUST. PERFORMANCE.

BRAKE PAD RA



An exceptionally wide range of products in four areas – brake hydraulics, wearing parts, fluids & chemicals and accessories – sets HELLA PAGID apart.

All our products are notable for their high level of safety, comfort and durability. Almost 100 % of existing European vehicles are covered by HELLA PAGID brake pads and brake discs – a clear indication of our aspiration to achieve perfection and of the quality of our products.

And because safety is paramount in braking systems, we work hard to continually update our range of products, anticipating technological developments well in advance.

OE-Numbers:

0004205200, 0004205900, 0004208300, A0004205200, A0004205900, A0004208300

BRAND	MODEL	YEARS OF PRODUCTION
MERCEDES	GLC (X253), GLC Coupé (C253)	06/15 –
	250 4-matic	06/15 –
	300 4-matic	07/15 –
	350 e 4-matic	01/16 –
	AMG 43 4-matic	04/16 –
	220d 4-matic	06/15 –
	250d 4-matic	06/15 –
	350d 4-matic	10/16 –



BRAKE SYSTEMS

**BRAKE DISCS
FOR THE MERCEDES CLS**

NEW
TO MARKET

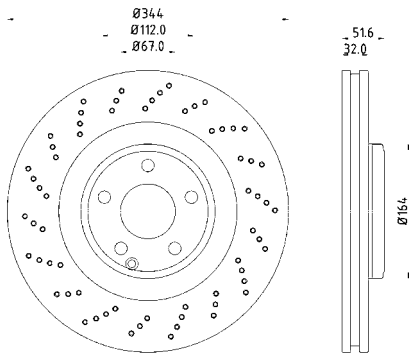


Hella Pagid Brake Systems is one of the leading providers of brake systems in the independent aftermarket, supplying an extensive range of products. We are now also offering our outstanding technology, which meets the toughest demands, for the Mercedes CLS. This flyer presents a brief overview of the relevant article numbers and models.

Long article number	Short article number	Product	Vehicle NEW / New-to-market	Years of Production
8DD 355 126-381	55899PRO_HC	Brake Disc FA	CLS (C218), CLS Shooting Brake (X218)	01/11 – 05/17

RELIANCE. TRUST. PERFORMANCE.

BRAKE DISC FA



An exceptionally wide range of products in four areas – brake hydraulics, wearing parts, fluids & chemicals and accessories – sets HELLA PAGID apart.

All our products are notable for their high level of safety, comfort and durability. Almost 100 % of existing European vehicles are covered by HELLA PAGID brake pads and brake discs – a clear indication of our aspiration to achieve perfection and of the quality of our products.

And because safety is paramount in braking systems, we work hard to continually update our range of products, anticipating technological developments well in advance.

OE-Numbers:

2184210412, A2184210412

BRAND	MODEL	YEARS OF PRODUCTION
MERCEDES	CLS (C218), CLS Shooting Brake (X218)	01/11 – 05/17
	CLS 350	10/12 – 05/17
	CLS 400	05/14 – 05/17
	CLS 400 4-matic	07/14 – 05/17
	CLS 350 BlueTEC / d 4-matic	05/14 – 05/17
	CLS 350 BlueTEC / d	05/14 – 05/17
	CLS 350 d 4-matic	04/15 – 05/17
	CLS 350 CDI / d	11/12 – 05/17
	CLS 350 CDI / d 4-matic	11/12 – 05/17